

HiB

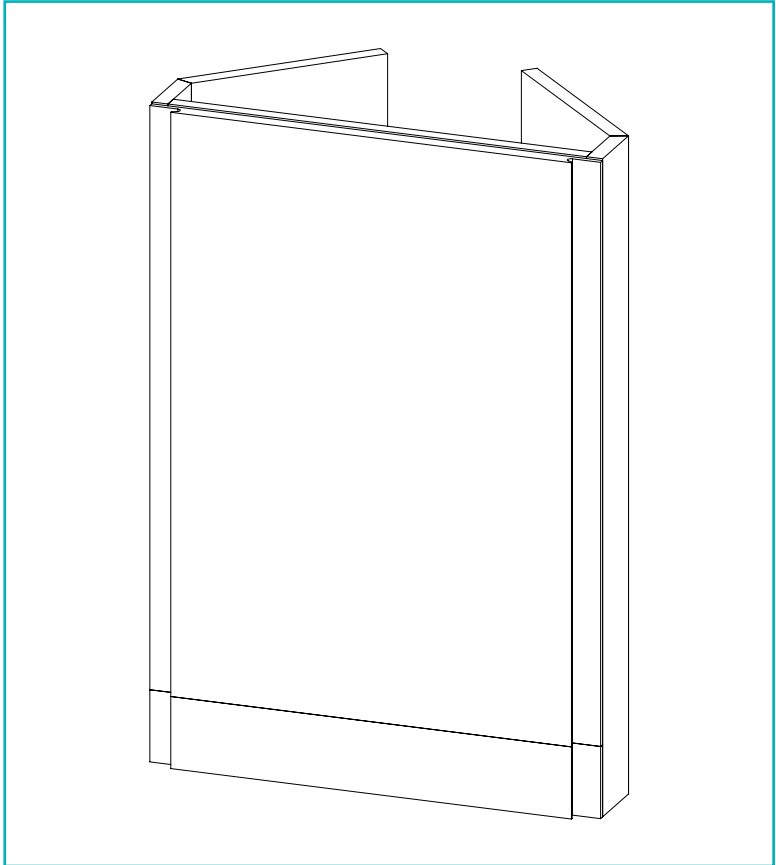
NOVUM
BATHROOM FURNITURE

RIVUS

Matt White: Art No N24FSCRMWH

Matt Anthracite: Art No N24FSCRMANT

Dusky Blue: Art No N24FSCRDBL



Thank you for purchasing this HiB product.

Please read through these instructions carefully and refer back to them during installation to ensure that your product is fitted safely and that it retains its high quality finish.

Warnings for Safe Use

- Please read the instructions and warnings carefully before installing the product and ensure this document is kept with the product for future reference to ensure product longevity and in the interest of safety.
- This product is intended for domestic use only.
- Not for use in saunas, steam rooms.
- It is recommended that this product is installed by 2 people who are able to meet the level of competence required in order to comply with relevant regulations.
- This product is designed for installation into a brick or masonry block wall. If mounting onto other substrate, ensure appropriate fixing and batons are used (if required) and the load bearing of the wall is sufficient.
- When drilling use appropriate eye protection.
- Take care when using power tools near water - the use of a residual current device (RCD) is advised.
- Beware of hidden cables or pipes. Take care if drilling on tiled surfaces in case the drill slips.
- Do not overload shelves or unit.
- Do not sit or stand on the unit.
- Ensure that excessive standing and surface water is removed from the product to avoid long term damage and spoiling.

What's in the Box?

- Rivus Cloakroom Unit
- Fitting pack

Tools Required



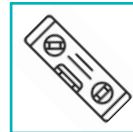
Screwdriver



Pencil



Tape
Measure



Spirit Level



Drill



Suitable
Drill Bit

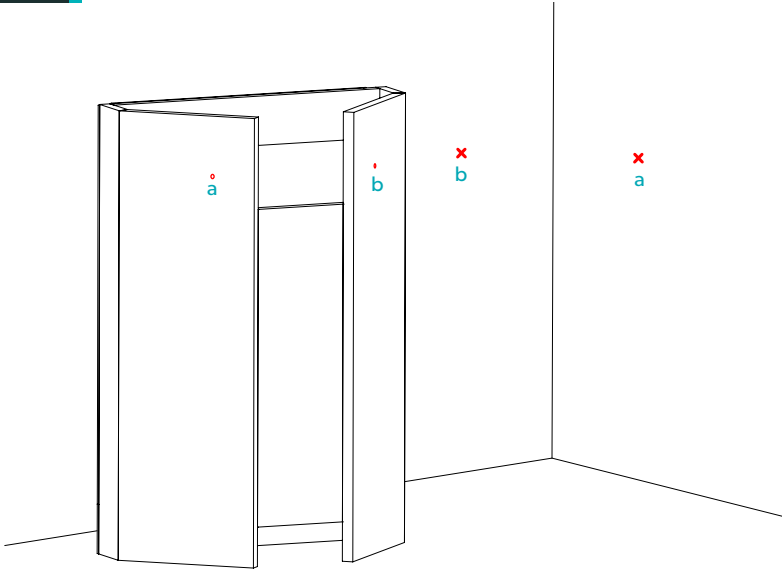


Fig. 1

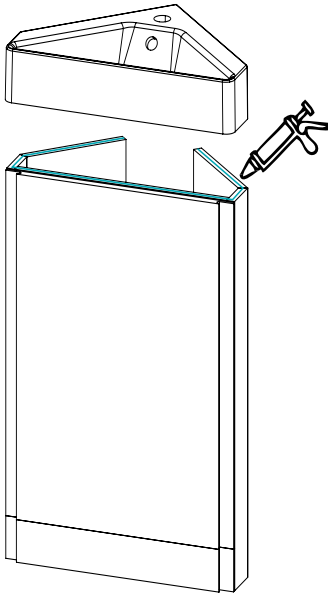


Fig. 2

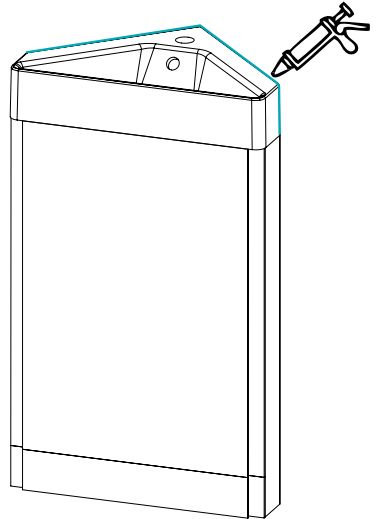


Fig. 3

Seal all cut edges with a silicone or polyurethane sealant. When applying silicone sealant, ensure that the room is well ventilated.

1. Plan the position of the unit on the wall.
2. Mark the drill location onto the wall through the pre-drilled holes in the rear panels of the unit. *See Fig. 1.*
3. Drill holes in wall and fix the unit into position with suitable fixings. Do not over-tighten - this may distort the carcass.
4. Silicone along the top edge of the unit and fit the basin *as per Fig. 2.* Silicone along back edges of basin and along the back of the unit and wall *as per Fig. 3.* Allow to set fully.
5. Fix tap in place, and finalise water and waste connections.

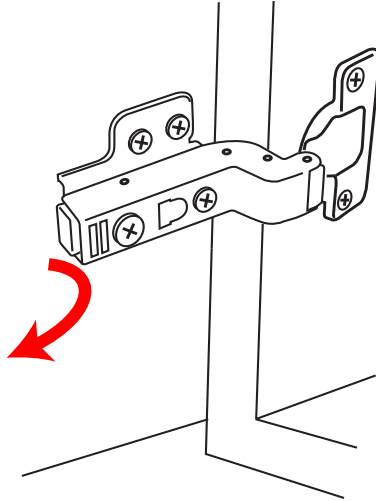


Fig. 4 - Removal

- Move door(s) up/down
- Move door away/towards the cabinet
- Move door(s) left/right

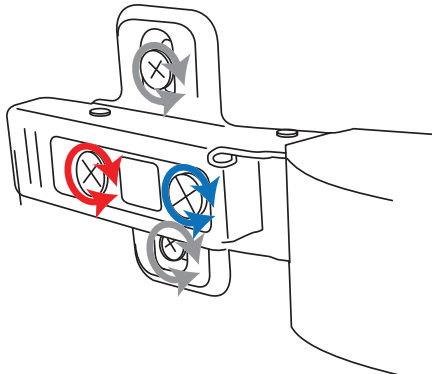
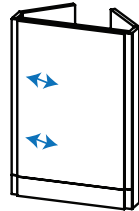
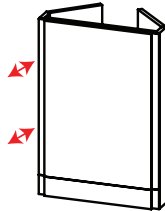
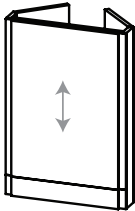


Fig. 5 - Adjustment

Care

To preserve the high quality finish of your HiB product, please ensure you regard the following care and cleaning recommendations:

- Use only a soft damp cloth.
- Wipe off all water spillages as soon as possible.
- **Do not use** any abrasives or solvents.

Aftercare

In the unlikely event that this product should fail please contact the retailer from which the item was purchased.

T: +44 (0)20 8441 0352 F: +44 (0)20 8441 0219 E: sales@hib.co.uk hib.co.uk

Building 3, North London Business Park, Oakleigh Road South, New Southgate, London. N11 1GN

©HIB Copyright: No part of this document may be reprinted or duplicated without HIB consent. All sizes and measurements are approximate, but we do try and make sure they are as accurate as possible. In the interest of continuous product development, HIB reserves the right to alter specifications as necessary. E & OE.